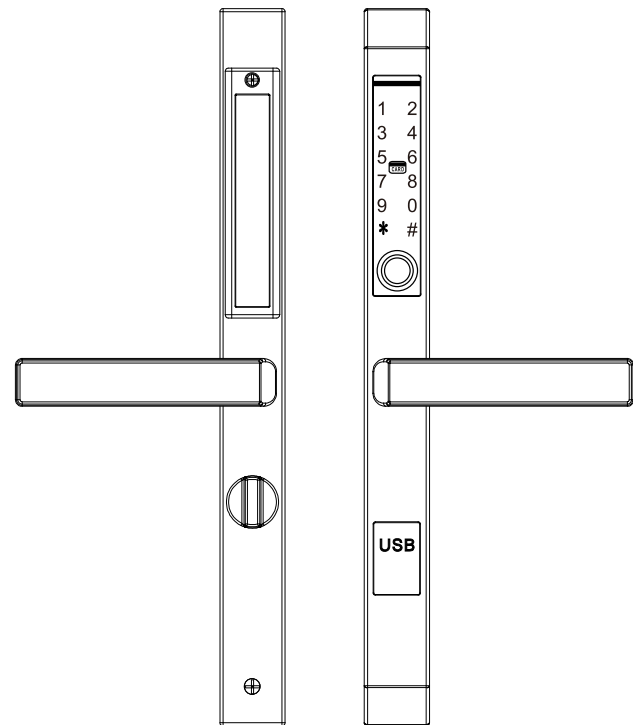


SMART DOOR LOCK

- User Manual -



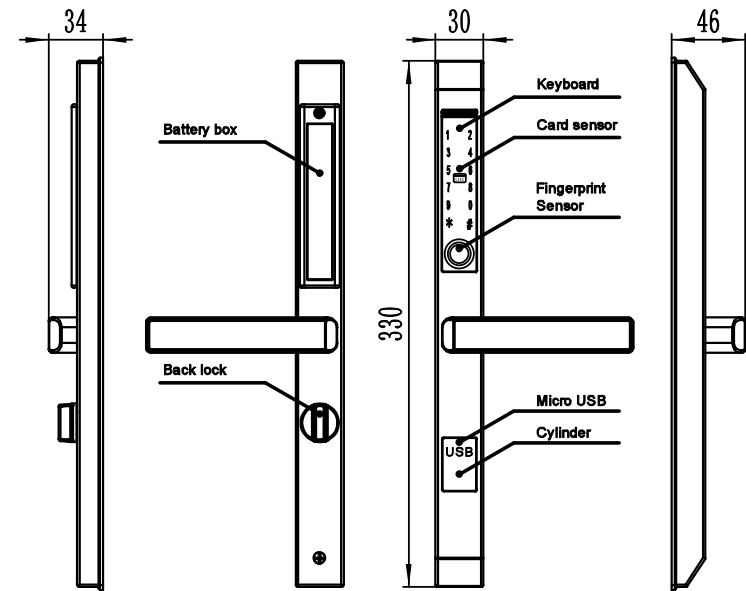
Model X200

Please read the Manual carefully before installation.
Please properly keep the Manual for future reference.

Catalogue

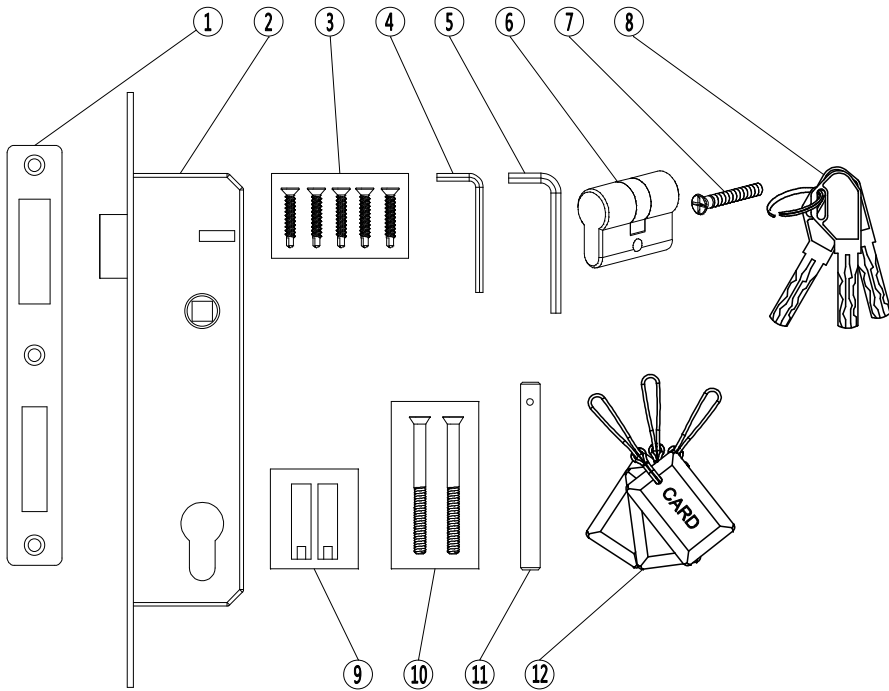
1. Technical Parameter	01
2. Accessories	02
3. Installation.....	03
4. System Settings.....	06

1. Technical Parameter



Product Name	Fingerprint door lock
Main Material	304 stainless steel
Color	Silver/ Black/ Red bronze
Unlock Way	Fingerprint/ Card/ Password/ Key/ Tuya app(optional)
Capacity	100 fingerprints/ 200 cards/ 1group code
Waterproof Level	IP65
Size	L330mm*W124mm*H46mm(front)/34mm(back)
Language	English
Battery	4 pcs AAA Alkaline Batteries
Power Consumption	Static Current: <20uA; Dynamic Current:<200mA
Working Temperature	-30° C- +60° C
Working Humidity	20%- 92%
Door Type	Aluminum glass door/ wooden door/ metal door
Door Thickness	35mm-100mm
Emergency Power	Micro-USB portable charger
Cylinder	C-class cylinder
Mortise	85mm
Audio prompt	Yes
Back locking	Yes
Anti-prizing	Yes
Certification	CE RoHS FCC

2. Accessories

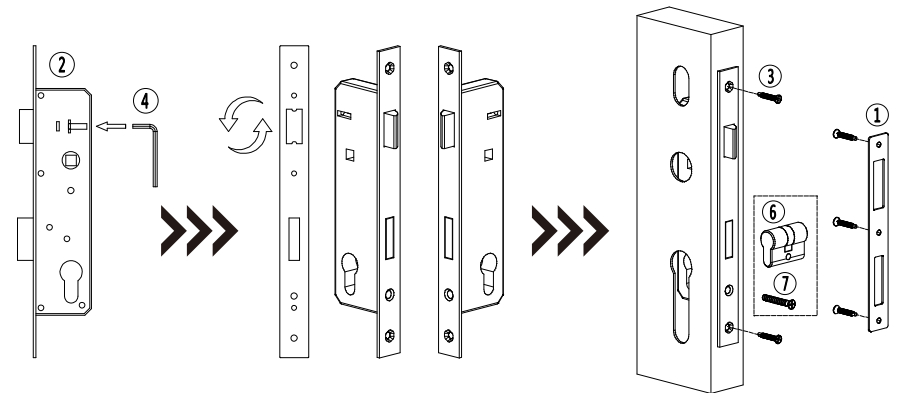


No.	Name	QTY	Note
1	Strike plate	1	
2	Mortise	1	
3	self-tapping screw	4	
4	3mm Allen key	1	
5	4mm Allen key	1	
6	Cylinder	1	Y/N
7	cylinder screw	1	Y/N
8	key	3	
9	Mounting nut	2	
10	Mounting screw	2	
11	Spindle	1	
12	Card	3	

3. Installation

Step-01: Adjust the latch bolt of mortise - Install the mortise

- Drill holes and grooves in the door according to the installing holes drawing.
- Adjust the latch bolt of the mortise in the correct direction base on the opening direction of the door.
- Install the cylinder.



a. Loosen the screw to proper distance. But don't unscrew it completely.

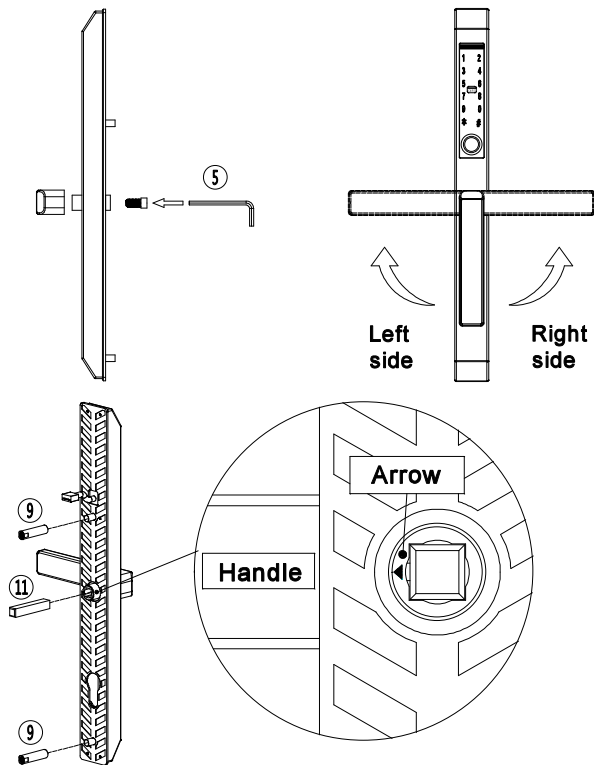
b. Turn the latch bolt to the correct direction and tighten the screw.

c. Drill the door hole and install strike plate and mortise.

3. Installation

Step-02: Adjust the handle direction - Prepare the front panel

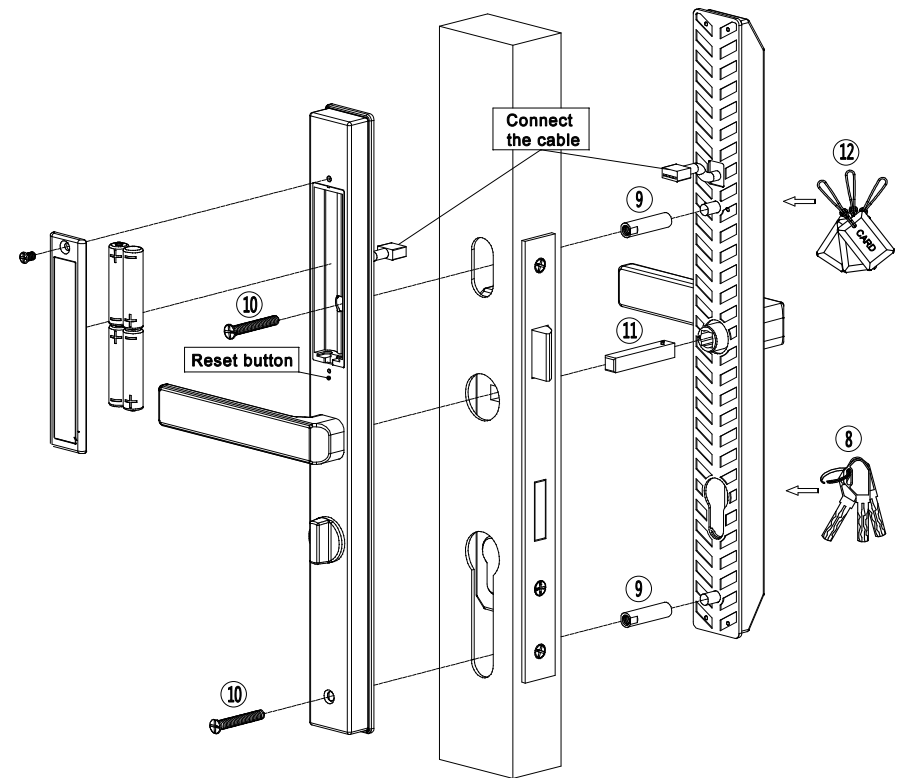
- Adjust the handle direction with Allen key and mounting screw.
- Use portable grinder to cut the square axis into suitable length according to the thickness of the door, and then insert it in the square hole of the front panel. The regular length of the spindle is 25mm-30mm longer than the thickness of the door.
- Roll the spindle to make the arrow sign point to the handle direction.
- Fix the mounting nut of the front panel.



3. Installation

Step-03: Install the panels on the door - Install the batteries

- Put the spindle of the front panel in the square hole of the mortise.
- Connect the cable between the front panel and the back panel.
- Adjust the position between the lock and door and tighten the mounting screws.
- Put the batteries in the power box in correct position.



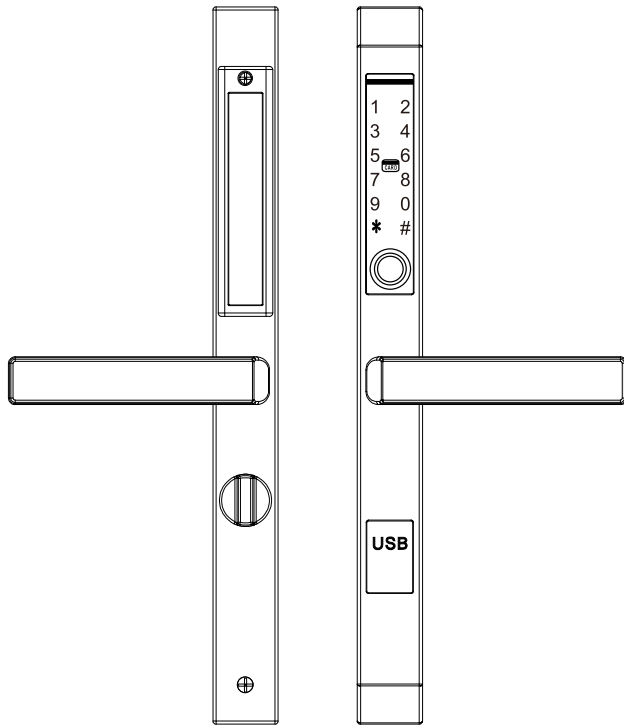
3. Installation

Step-04: Reset the lock

- Press the reset button until hear audio prompt, “bi...bi...bi...bi...bi---bibi...bibi...bibi...bibi” and “ Factory reset, please press pound key”, press “#” to reset the lock.

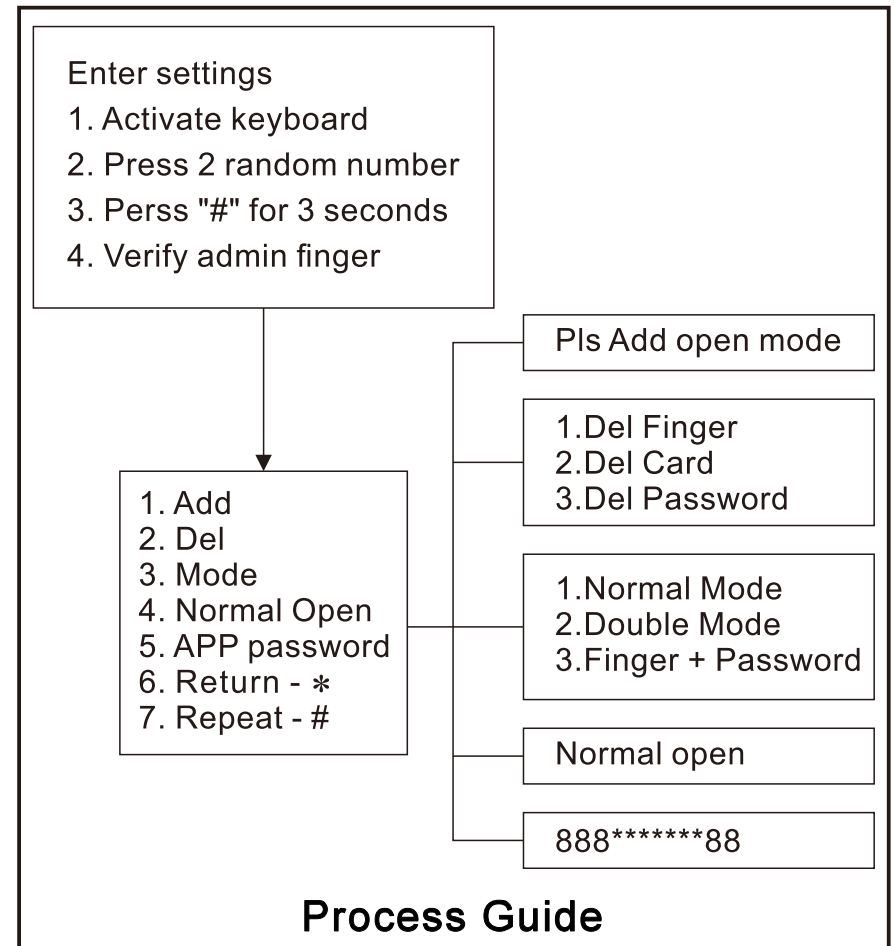
Step-05: Test

Use Fingerprint/ card/ password/ key to open the door



4. System Settings

- Reset (Factory mode);
- Enter the settings;
- Add Administrator and user;
- Delete user;
- Change identify mode;
- Normal open mode;
- APP password;



4. System Settings

1.Reset(Factory mode);

1.1.Press the reset button,until hear audio prompt "bi...bi...bi...bi...bi---bibi...bibi...bibi...bibi" and " Factory reset, please press pound key",

1.2 Release the reset button and press "#" to reset the lock.

ATT:The factory mode password is "123456" and any fingerprints can unlock the lock.

2.Enter the settings;

2.1.Activate the keyboard and press 2 digits random number;

2.2.Identify administrator fingerprint, audio prompt "Add press "1",Del press "2", Mode press "3", normal open press "4" Admin password press "5", Retun press star key, Repeat press pound key";

ATT:The first 3 registered fingerprints are the administrator fingerprints. Administrator fingerprint have to be registered before all the operation in the settings.

3.Add Administrator and user;

3.1.Add administrator fingerprint and user fingerprint

3.1.1.Select "1", audio prompt "Please add open mode"

3.1.2. Put the fingerprint on the fingerprint sensor for 4 times;

ATT:The first 3 registered fingerprints are the administrator fingerprints. Administrator fingerprint have to be registered before all the operation in the settings.

3.2.Add ID card

3.2.1.Select "1", audio prompt "Please add open mode";

3.2.2.Put M1 card on the card sensor area.

3.3.Add password

3.3.1.Select "1", audio prompt "Please add open mode";

3.3.2. Press any number on the panel, audio prompt "Please input password";

3.3.3. Input the password 2 times.

ATT:The number of password is 6-12 digits. The capacity of the code is only 1 group. If you keep adding the new code, the new one will replace the old one automatically.

4. System Settings

4.Delete user;

4.1. Del fingerprint

4.1.1.Select "2", audio prompt "Finger del press "1", Card del press "2", password del press "3" ";

4.1.2.Select "1", audio prompt "Finger del press "1", All del press "#"" ATT:The administrator fingerprint cannot be deleted, unless reset the lock.

4.2.Del card

4.2.1.Select "2", audio prompt "Finger del press "1", Card del press "2", password del press "3"" ;

4.2.2.Select "2", audio prompt "Card del press "1", All del press "#"" ;

4.3.Del password

4.3.1.Select "2", audio prompt "Finger del press "1", Card del press "2", password del press "3"";

4.3.2.Select "3", audio prompt "del, please press "#"";

5.Change identify mode;

5.1.Select "3", audio prompt "Normal Mode press "1", Double Mode press "2", Finger Password Mode press "3""

ATT:Select "1": One fingerprint or one ID card or code to unlock.

Select "2": Double fingerprints to unlock.

Select "3": one fingerprint and one code to unlock.

6.Normal open mode;

6.1.Select "4", "Attention!! Normal open".

ATT:Quick activate Normal open mode, fingerprint to unlock and then press "*" "

After choosing this mode, the lock will keep open until you enter fingerprint or ID card or code to close mode.

7.APPpassword;

7.1.Select "5", Audio prompt"88*****888".